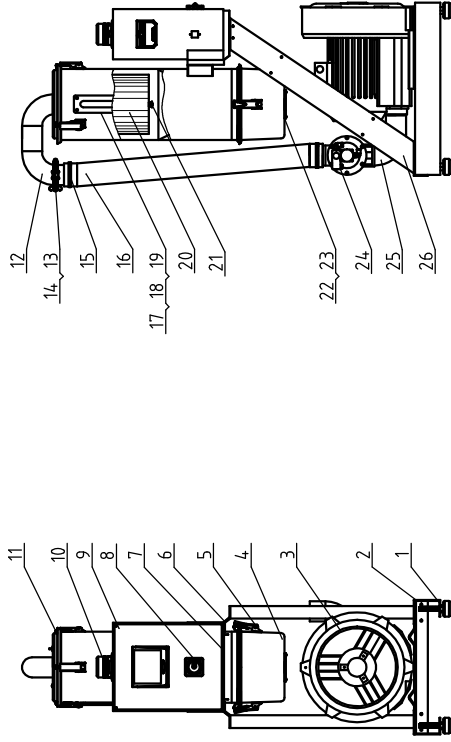


SAL-5HP-UG(-D) assembly diagram and parts List.




No.	Material number	Name	Mat.	Num.	Remarks
26		Column		1	
25		Inlet air pipe		1	
24	BY20005000200	Vacuum breaking valve SYBV-50(VER.B)	Assembly	1	24.VAC
23	YR1024-3600000	Suction pipe round fastener SAL-24U/36U*	Rubber	1	
22	BL26000050020	PC filter barrel (filter SCAL-5HP-D-08(ver-0))	SUS201	1	
21	YW69051600000	Butterfly nut 5/16"		1	
20	YR50181000000	Filter 402 rubber fastener (SPH-1000H-A-ALL-09)	Assembly	1	
19	BW09000630040	Sight glass iron 6 holes	SPCC2.0	1	
18	YR40000600000	Sight glass fastener 6 holes*	Rubber	1	
17	YR40001200000	Acryl six holes*	PC	1	
16	YR60253000000	Steel wire hose 2.5" x 3/8" anti-temp. 160 degree	Assembly	1m	
15	YW02000300000	Stainless steel pipe clamp 3" (52-76mm)	SUS201	2	
14	YR20002500300	Stainless steel punch clamp seal ring 2.5" x	silica gel	1	
13	YW07002501600	Stainless steel pipe clamp 2.5"	Assembly	1	
12		Filter barrel cover assembly		1	
11	YR10080000300	Filter barrel fastener SAL-810G-A-03*	Rubber	2	
10	BL90000011520	3-color alarm light (red, yellow, green/buzzer) AC200V	Assembly	1	
9		Control box assembly		1	
8	YE10021160000	Main power switch	Assembly	1	
7	BL50135000020	Wire clamp fixed plate PG135	SPCC2.0	1	
6		Control box support base		1	
5	YW02003000400	Adjustable snap hook SAL-6U-A-35*	Assembly	5	
4	YL22081000000	PC filter barrel SAL-490C-A-05 (ver-0) (has mold)	SPCC1.5	1	
3	YM30433700000	Shelving blower EHS-4337 double stage*	Assembly	1	
	BW30055000050	Shini blower RB-550*	Assembly	1	
2	BL21003500120	Base	SPCC3.0	1	
1	YW03005000000	Foot pad φ50	Assembly	4	

"x" indicates the items that may be damaged; "x x" indicates the items that are more likely to be damaged. It is recommended to back them up. Please confirm the version number of the instruction manual before placing an order to purchase spare parts, so as to ensure that the material number of spare parts is consistent with the physical one.

Mark	Before Mod.	After Mod.	Mod. by	Date	App.	Ver.	Dra.	Desi.	Check	App.	Date

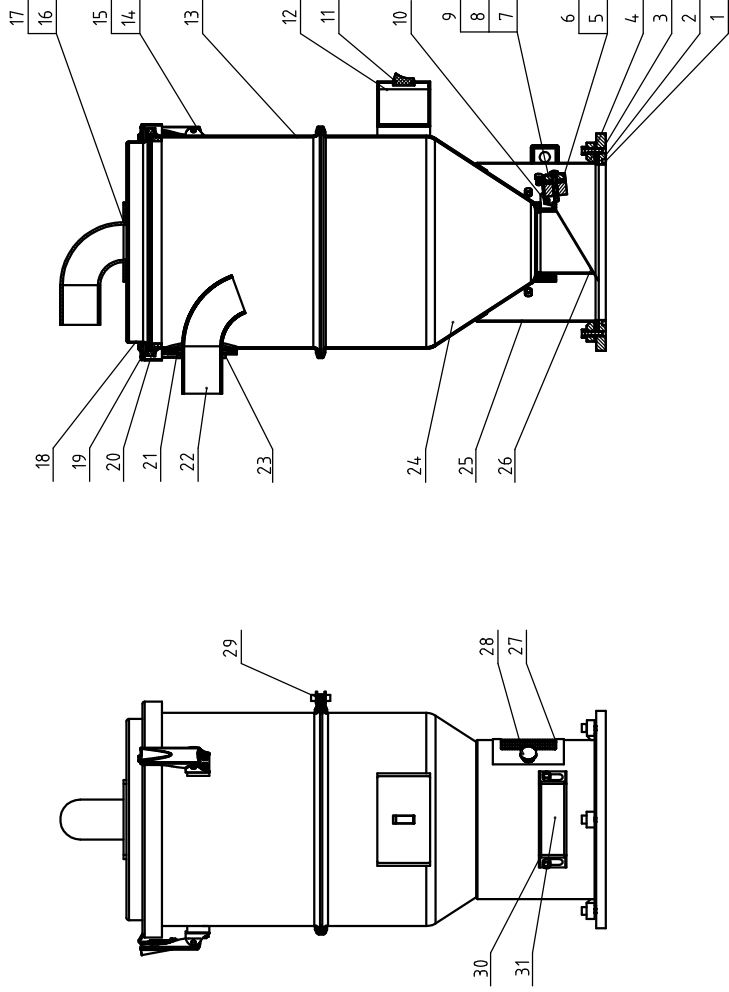
Title		Drawing No.	
SAL-5HP-UG(-D)	SAL-5HP-UG(-D)(for parts drawing)		
Separate-vacuum hopper loader			

Scale	1:15	Mat.	Num.	Remarks
			1	1
			1	Assembly
			1	Surface req.
			1	Mat. No.



 信易電熱機股份有限公司
 Shini Plastics Technologies, Inc.

SHR-24U assembly diagram and parts List.



31	YE15123000400	Red switch BWP-300 A/18mm 24V(Sonolubnet crystal joint)*	ABS	1
30	YR40000601100	Sensor shell*	ABS	1
29	BL21001208120	Pipe clamp	Assembly	1
28	YR40061500000	Star handle SAL-6U/M6x15	Assembly	2
27	YR40000601000	Plastic vent window SAL-6U-01(stainless steel net)(white)	Assembly	1
26	BL27002401920	Discharge plate*	SUS201	1
25		Hopper fixed base	SUS304	1
24		Storage hopper	SUS304	1
23	YW64040700100	Non-metal insert hexagon lock nut GB/T889.1 M4	Assembly	4
22	BL27002401620	Inlet pipe *	Assembly	1
21	YR10243600000	Inlet pipe fastener *	Rubber	1
20	YR10000600200	Hopper fastener *	Rubber	1
19	BL27002400020	Filter screen *	SUS201	1
18	BL27001700320	Hopper cover	SUS201	1
17	BL270002400620	Suction pipe	SUS201	1
16	YR10002500000	Suction pipe fastener*	Rubber	1
15	YW02003000400	Snap hook SAL-6U-A-35 *	Assembly	3
14	YR40000600800	Snap hook washer SAL-6U *	ABS	3
13		Size increased hopper *	SUS201	1
12	YR40100000200	Anti-water junction box WD.JH-100 *	ABS	1
11	YE10210400000	White alternative switch R210-cslBwp*	Assembly	1
10	YW64000300000	Anti-loose nut M3	Assembly	1
9	BH10241003110	Weight block	HPB59-1	1
8	YW64000600200	Hex. nut M6 (anti-loose)	HPB59-1	1
7	BH2000600010	Magnet sleeve	HPB59-1	1
6	BL27000600120	Magnet cover	SUS201	1
5	YW90257700000	Permanent magnet φ25×φ7×7	Permanent magnet	1
4	BW20000630500	Pressing magnet	YL112	4
3		Base fastener*	EVA2.0	1
2	BW21275100010	Base	YL112	1
1	YR20205500000	O seal ring inner φ200×5.5*	Rubber	1

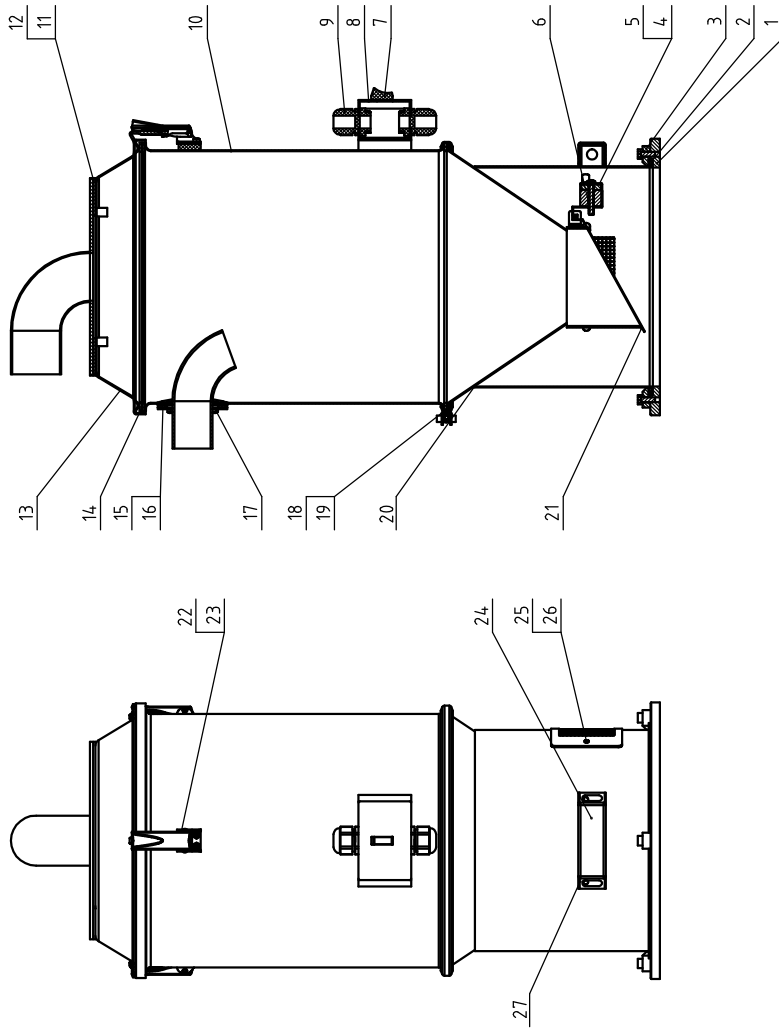
No.	Material number	Name	Mat.	Num.	Remarks
Title SHR-24U Vacuum Hopper Receiver					
Drawing no. SHR-24U(or assembly drawing)					
Scale 1:6					
Surface req. Mat. Assembly					
Mat. No.					



**Indicates the items that may be damaged; "*" indicates the items that are more likely to be damaged. It is recommended to back them up. Please confirm the version number of the instruction manual before placing an order to purchase spare parts, so as to ensure that the material number of spare parts is consistent with the physical one.

Mark	Before Mod.	A fter Mod.	Mod. by	Date	App.	Date	Ver.

SHR-36U assembly diagram and parts List.



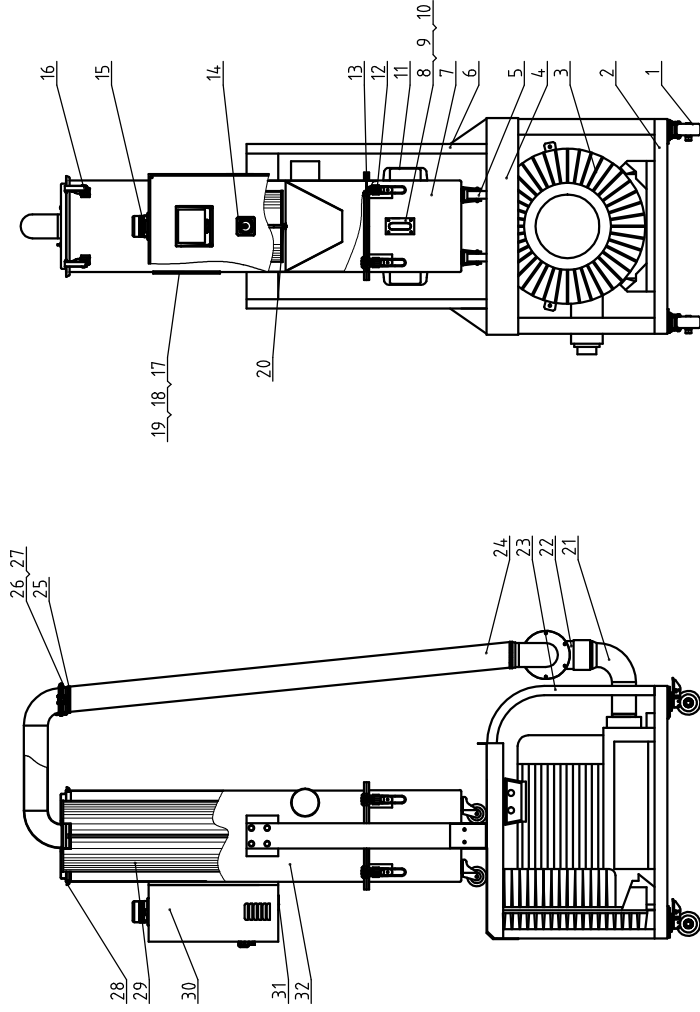
“**” indicates the items that may be damaged; “***” indicates the items that are more likely to be damaged. It is recommended to back them up. Please confirm the version number of the instruction manual before placing an order to purchase spare parts, so as to ensure that the material number of spare parts is consistent with the physical one.

No.	Material number	Name	Unit	Remarks
27	YR400615000000	Sensor shell	SUS201	1
26	YR4000601000	Star handle SAL-6U/M6x15	Assembly	2
25	YR4000601000	Plastic vent window SAL-6U-0161 stainless steel net(white)	Assembly	1
24	YR4000601000	Heat seal SHR-36U-A-180mm 2415500001hose crystal joint*	Assembly	1
23	YW02003000400	Adjustable snap hook SAL-6U-A-35*	Assembly	3
22	YR4000600800	Plastic snap hook washer SAL-6U (white)(has mould)*	Assembly	3
21		Discharge plate*	Assembly	1
20		Hopper body	Assembly	1
19	YR10121300200	Slide separator fastener SRP-258-A-1200 PC silica gel (has mould)*	Assembly	2
18		Pipe clamp assembly	Assembly	1
17	YW64040700100	Non-metal insert hexagon lock nut GB/T889.1 M4	Assembly	4
16	BL27002401620	Inlet pipe *	Assembly	1
15	YR1024-3600000	Inlet pipe fastener*	Rubber	1
14	BL20003601120	Filter screen *	Assembly	1
13		Hopper cover	Assembly	1
12		Suction pipe	Assembly	1
11		Suction pipe fastener*	EVA3.0	1
10		Hopper body (lupper)	SUS304	1
9	YE67000940000	Cable lock head PG9		2
8	YR40010000200	Anti-water junction box WDH-100 plastic (white)(has mould)*	ABS	1
7	YE1018400000	White alternative switch R11-B/AP 24 VAC/DC	Assembly	1
6	BH11003601510	Magnet sleeve SHR-36U-ALL-06 (ver.0)	H58	1
5		Magnet cover	SUS201	1
4	YW90257700000	Permanent magnet φ25xφ7x7	Permanent magnet	1
3	BW20000630500	Pressing block SAL-6U-A-13 Yanno	YL112	4
2		Base fastener**	EVA2.0	1
1	BH13003601510	Base SHR-36U-ALL-09(has mould)(processed) ver.0	AC4.8	1

Title		Drawing no.		Scale		No.	
SHR-36U		SHR-36U(or assembly drawing)		1:6		1	
Vacuum Hopper Receiver							
Mark	Before Mod.	After Mod.	Mod. by	Date	App.	Ver.	Date
				Surface req.		Mat. No.	
				Mat.		Assembly	



SAL-20HP-UG-D assembly diagram and parts List.



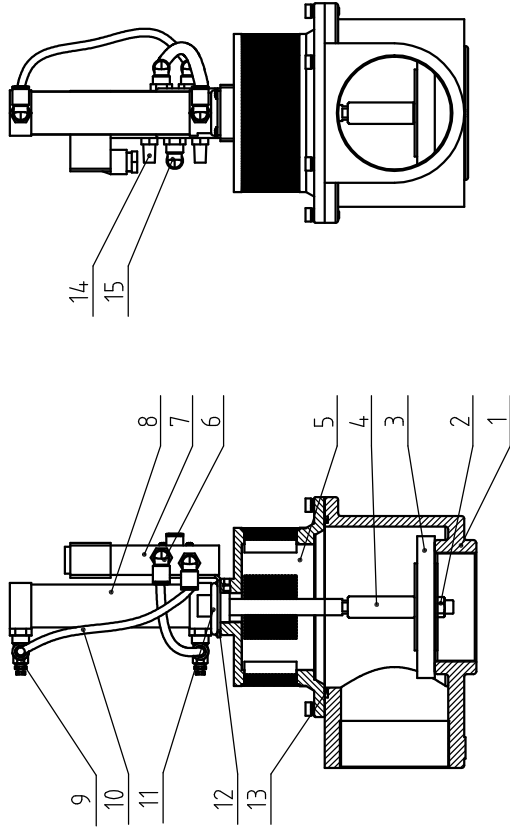
"x" indicates the items that may be damaged; "x x" indicates the items that are more likely to be damaged. It is recommended to back them up. Please confirm the version number of the instruction manual before placing an order to purchase spare parts, so as to ensure that the material number of spare parts is consistent with the physical one.

No.	Material number	Name	Mat.	Num.	Remarks
32		Filter barrel		1	
31	BL45000502120	Wire clamp fixed plate M25	SPCC2.0	1	
30		Control box assembly		1	
29	YR50226000000	Filter $\phi 225 \times \phi 145 \times 600^*$	SPCC1.5	1	
28		Filter barrel cover assembly		1	
27	YR20000300000	Stainless steel punch clamp seal ring 3"	silica gel	1	
26	YW07000300300	Stainless steel punch clamp 3"	SUS304	1	
25	YW02003500000	Stainless steel pipe clamp 3.5"	SUS201	2	
24	YR60303000000	Stainless steel hose 3"	Assembly	1.6m	
23		Support frame		1	
22	BY20007600100	Vacuum breaking valve SVBV-76(VER.B)	Assembly	1	
21		Inlet air pipe		1	
20	YW69000800000	Butterfly nut 5/16"	Q235A	1	
19	BW09000630040	Sight glass iron 6 holes	Q235A	1	
18	YR40007200000	Acryl six holes*	PC	1	
17	YR40006000000	Sight glass fastener 6 holes*	Rubber	1	
16	YW02003000400	Adjustable snap hook SAL-6U-A-35*	Assembly	4	
15	BL90000011520	3-color alarm light (red, yellow, green-buzzer) AC/DC24	Assembly	1	
14	YE10210300000	Main power switch	Assembly	1	
13	YE32051800100	Dust collective bin fastener *	silica gel	1	
12	YW00121000400	Handle	Assembly	4	
11	BW20012000040	Aluminum handle L120	YL112	2	
10	BW09000030440	Arc 4 hole iron sheet	SPCC2.0	1	
9	YR40000400000	Sight glass fastener 4 hole*	Rubber	1	
8	YR40007200100	Acryl 4 hole*	PC	1	
7		Dust collective bin *		1	
6		Filter barrel column		2	
5	YW03000200000	Black castor 2"	Assembly	3	
4		Middle plate	SPCC2.0	1	
3	YMW30001500300	Shenhong blower EHS-8315 double stage	Assembly	1	
2		Base		1	
1	YW03000300200	Free universal castor 3"	Assembly	2	
	YW03000300000	Brake universal castor 3"	Assembly	2	

Title		Drawing no.		Scale		Surface req.		Mat. No.	
SAL-20HP-UG-D		SAL-20HP-UG-D (for parts drawing)		1:15		No		1	
Separate-vacuum hopper loader									
Mark		Before Mod.		After Mod.		Mod. by		Date	
Dra		Ver.		App		by		Date	
Desi.		Check		App.		Date			



Attached: SVBV-78 assembly diagram and parts List(BY20007600100).



“*”Indicates the items that may be damaged; “**” indicates the items that are more likely to be damaged. It is recommended to back them up.

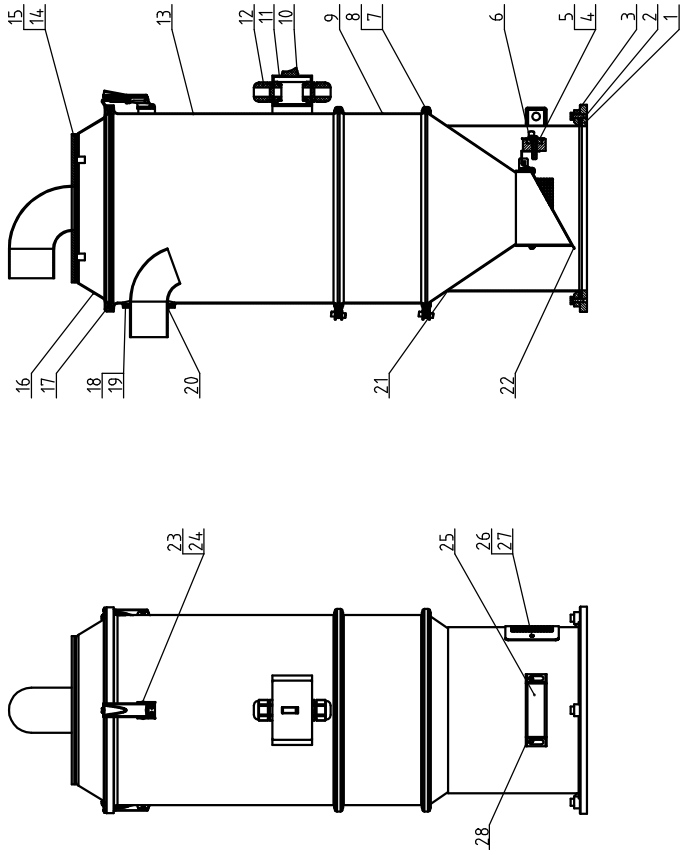
Please confirm the version number of the instruction manual before placing an order to purchase spare parts, so as to ensure that the material number of spare parts is consistent with the physical one.

15	YW80081800100	L screw connector APL8-01 1/8-φ8(AirTAC)	Assembly	1	
14	YW80010800000	Copper silencer 1/8"	Assembly	2	
13	YR20013030000	O-type rubber seal ring ext. dia. 30 wire dia. 3 (fluororubber)*	(fluororubber)	1	
12	BL20380500020	Solenoid valve fixed sheet SPDV-38-ALL-05	SPLC2.0	1	
11	YR20305000000	O-type seal ring φ30×φ5*	Rubber	1	
10	YR60000600400	PU air pipe φ6 blk 200m/roll	PU	1M	
9	YW800061800000	Adjustable air pipe connector ASL6-1/8	Assembly	2	
8	YE31258000000	Cylinder MBL25×80-U(AIRTAC)SCSF-300-B-10*	Assembly	1	
7	YE32421600100	Solenoid valve 4V210-06/AC24V*	Assembly	1	
6	YW800061800200	L screw connector APL6-01 1/8-φ6(AirTAC)	Assembly	2	
5		Upper cover	Assembly	1	
4	BH10007600310	Diaphragm fixed screw SVBV-76-ALL-03	SUS304	1	
3	BL90007600040	Diaphragm SVBV-76-ALL-04 outsourcing(ver:0)*	Assembly	1	
2	YW641011000000	Hex. nut M10 anti-loose (Thickness: 11mm)		1	
1	BA907601000010	Lower cover SVBV-76-ALL-01	AC4B	1	
No.	Material number	Name	Mat.	Num	Remarks
	SVBV-76	Drawing no.	Scale	1:5	No. 1
	Vacuum Breaking Separator	SVBV-76(for assembly drawing)			Assembly
			Surface req		
			Mat No.		



Mark	Before Mod	After Mod.	Mod. by	Date	App.	Check	Desi	Dra	Ver	Title	SVBV-76	Material number	BA907601000010
										Vacuum Breaking Separator	SVBV-76(for assembly drawing)	Drawing no.	SVBV-76

SHR-48U assembly diagram and parts List.



28	YR40061500000	Sensor shell	SUS201	1
27	YR40000601000	Star handle SAL-6U/M6x15	Assembly	2
26	YE15123000400	Plastic vent window SAL-6U-01(stainless steel net(White))	Assembly	1
25	YW020030000400	Resin with BNY-30BLA/80mm 24V(S000)/without crystal joint*	Assembly	1
24	YR40000600800	Adjustable snap hook SAL-6U-A-35 *	Assembly	3
23	YR40000600800	Snap hook plastic washer SAL-6U (White)(has mould)*	Assembly	3
22		Discharge plate*	Assembly	1
21		Hopper body	Assembly	1
20	YW64040700100	Non-metal insert hexagon lock nut GB/T889.1 M4	Assembly	1
19		Inlet pipe *	SUS201	1
18	YR10243600000	Inlet pipe fastener *	Rubber	1
17		Filter screen *	Assembly	1
16		Hopper cover	Assembly	1
15		Suction pipe	SUS201	1
14		Suction pipe fastener*	EVA3.0	1
13		Hopper body lipper)	Assembly	1
12	YE67000940000	Cable lock head PG9	Assembly	2
11	YR40010000200	Anti-water junction box WPH-100 plastic (white)(has mould) *	ABS	1
10	YE10118400000	White alternative switch R11-8/AP 24VAC/DC	Assembly	1
9		Large size hopper	SUS201	1
8	YR10121300200	Back separator fastener SHP-25E8-A-11(ver:01K, ultra gelatin mould)*	Assembly	3
7		Pipe clamp assembly	Assembly	2
6	BH11003601510	Magnet sleeve SHR-36U-ALL-06 (ver-0)	H58	1
5	YW90257700000	Magnet cover	SUS201	1
4	BW20000630500	Permanent magnet φ25xφ7x7	Permanent magnet	1
3		Pressing block SAL-6U-A-13 Yanno	YL112	4
2		Base fastener*	EVA2.0	1
1	BH13003601510	Base SHR-36U-ALL-09(has mould)(processed) ver:0	AC4.0	1

No.	Material number	Name	Scale	1:8	Mat.	18	No.	1	Remarks
Title		Drawing no.		SHR-48U(or assembly drawing)		Mat.		Assembly	
SHR-48U		Vacuum Hopper Receiver		Surface req.		Mat. No.			
Dra.		Ver.		App. by		Date			
Desi.		Check		App.		Date			
Mod. by		After Mod.		Date					



“*”Indicates the items that may be damaged; “**” indicates the items that are more likely to be damaged. It is recommended to back them up. Please confirm the version number of the instruction manual before placing an order to purchase spare parts, so as to ensure that the material number of spare parts is consistent with the physical one.